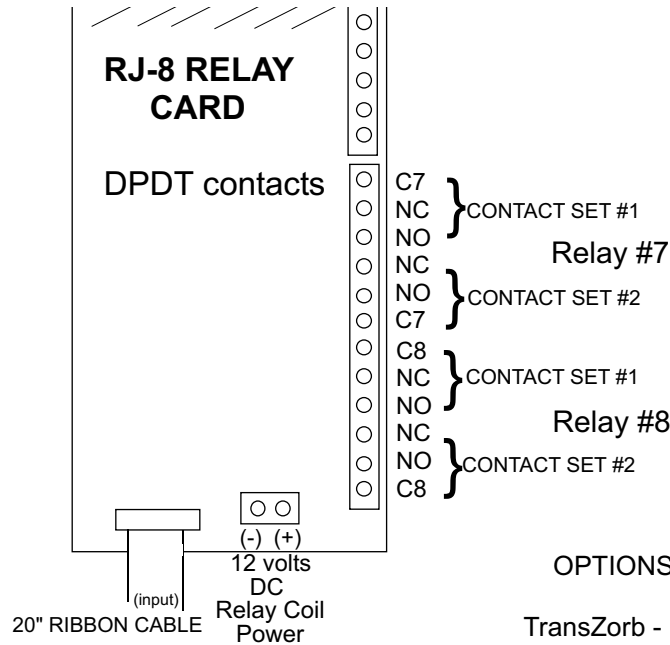
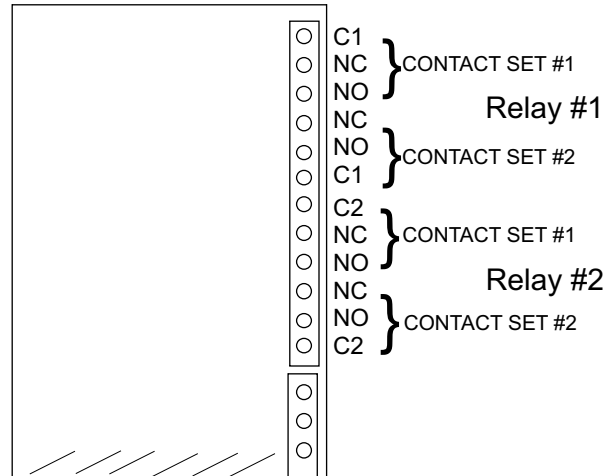


RJ-8 RELAY CARD



OPTIONS FOR THE RJ-8

TransZorb - Resetting Fuse

Detachable Terminal Blocks
or Extra Heavy Duty Terminal
Blocks with wire sizes up to 10 ga

Detachable Ribbon Cable with
Terminal Block in place of fixed
ribbon cable

Please contact Tech Support at
(937) 349-6000 for more information.

www.eeci.com

SPECIFICATIONS RJ-8 RELAY CARD

Size..... 3.125" by 10.75"
 Weight..... 17 ounces
 Number of relays..... 8
 Contact rating (DC)..... 15 amp 30 VDC RES
 Contact rating (AC)..... 15 amp 120 VAC
 Contact rating (AC)..... 10 amp 277 VAC
 Contact rating (horsepower).. 1/2 HP 250 VAC
 Contact rating (horsepower).. 1/3 HP 120 VAC
 Contacts..... DPDT
 Power requirements..... 12 Volts DC 700ma

Click to see photo: www.eeci.com/rj-8p.htm